



## Model PRO9056E Install Manual

### Table Of Contents:

Before You Begin	Page 2
Wire Harnesses Quick View	Page 3 - 4
Installation Of The Major Components	Page 5
6 Pin Power Harness Wiring	Page 6 - 7
12 Pin Accessory Input/Output Harness Wiring	Page 7 - 9
4 Pin GND, Alarm Bypass Output & Parking Light Harness	Page 11
Door Unlock Harness Wiring	Page 12 - 13
Telematic Port Information	Page 13
6 Pin Antenna Harness	Page 13
Diesel Engine Settings	Page 14
DBI Port Information	Page 14
Engine Monitoring Selections, (Voltage Tach, DBI, Hybrid,)	Page 14
Tach Programming	Page 14 & 21
Diagnostics Access & Information	Page 15
Testing Your Installation Hood Pin Safety	Page 15
Manual Override Safety Testing and Operation	Page 15 - 16
Manual Override Safety Testing and Operation	Page 15 - 16
Completing Your Installation	Page 18
Programming Transmitters	Page 19
Programming Alarm Feature Bank 2	Page 19 & 20
Tach Programming	Page 14 & 21
Circuit Wiring Layout	Page 24

**PATENTED:** [www.voxxintl.com/company/patents](http://www.voxxintl.com/company/patents)

## Before You Begin

### **PROFESSIONAL INSTALLATION IS STRONGLY RECOMMENDED**

Roll down window to avoid locking the keys in the vehicle during installation.

Avoid mounting components or routing wires near hot surfaces or near moving parts like the steering wheel as it may prevent proper operation of the vehicle.

Tape or loom wires under the hood and dash for protection as well appearance.

Use grommets when routing wires through metal surfaces to prevent chafing and shorting.

Use a Digital Multi Meter for testing and verifying circuits. DO NOT USE A "TEST LIGHT" OR "COMPUTER SAFE PROBE" as these can set off air bags or damage sensitive vehicle computers and electronics.

**For technical support go to [www.avxtech1.com](http://www.avxtech1.com)  
or call 1 800 225 6074**

#### **FCC COMPLIANCE**

This device complies with Part 15 of the FCC rules and with RSS-210 of Industry Canada.

Operation is subject to the following two conditions:

1. This device may not cause harmful interference, and
2. This device must accept any interference received, including any interference that may cause undesired operation.

#### **Warning!**

Changes or modifications not expressly approved by the party responsible for compliance could void the user's authority to operate the equipment

**NOTE:** The manufacturer is not responsible for any radio or TV interference caused by unauthorized modifications to this equipment. Such modifications could void the user's authority to operate the equipment

## 12 Pin Main Wiring Harness #1124295

1 Green/Orange	Tachometer Input
2 Green/Yellow	Glow Plug Input
3 Green	Door Unlock
4 Brown/Black	(+) Inhibit /Shutdown To Brake Switch
5 Brown	(+) Inhibit / Shutdown To Brake Switch
6 Gray	(-) Inhibit Neutral Start Switch
7 Black/Yellow	Pulse During Crank Output (-)
8 Black/Red	Pulse After Shut Down Output (-)
9 Black/Blue	Pulse Before Start Output (-)
10 Black/LT. Green	Pulse After Start Output (-)
11 LT. Blue	Ground While Running Output (-)
12 Gray/Black	(-) Inhibit / Shutdown To Hood Switch

### 6 Pin Power/Start Harness #1123742

1 Blue	Ignition 1 (+)
2 Red/White	Battery 1 - 12V (+)
3 Green	Ignition 2 (+)
4 Purple	Accessory (+)
5 Red	Battery 2 - 12V (+)
6 Yellow	Starter Output

### 4 Pin 2nd Main Harness #1124294

1 Black	Chassis Ground
2 White/Red	Parking Light Relay Input
3 Yellow/Black	To Controlling Alarm's Ignition Input
4 White	Parking Light Relay Output

### 6 Pin Antenna Harness #1124296

1 Red	+ 5 VDC
2 Green	RX
3 Black	Ground
4 Gray	Valet Enable
5 Blue	LED Cathode
6 NC	

**WARNING!** This Remote Start is to be used in vehicles with **AUTOMATIC TRANSMISSIONS** only! Although this system is a sophisticated device with many advanced features, **IT MUST NOT** be installed into a vehicle with **manually operated transmission**. Doing so may result in serious personal injury and property damage!

### **INSTALLATION OF THE MAJOR COMPONENTS:**

#### **CONTROL MODULE: PART # 1365429**

Select a mounting location inside the passenger compartment (up behind the dashboard). The mounting location selected must be within 24" of the ignition switch wiring harness to allow connection of the 6 pin main wiring harness. Be certain that the chosen location will not interfere with proper operation of the vehicle. Avoid mounting the module to or routing the wiring around the steering shaft/column, as the module or wiring may wrap around or block the steering wheel preventing proper control of the vehicle. The module will be secured after all wiring is completed which will allow complete access until the job is done.

**Do Not Mount The Module In The Engine Compartment**, as it is not waterproof.

#### **HOOD PIN SWITCH: PART # 1363699**

The pin switch included in this package is intended for protecting the hood area of the vehicle. In all cases, the switch must be mounted to a grounded metal surface. When the pin switch is activated, (hood open), it will supply a ground to the input wire activating the alarm. In addition, the hood switch is required for the safety shut down of the remote start unit. If the vehicle is being worked on, this hood switch prevents the remote start activation even if the RF command to start is issued. **WARNING! This switch must be installed in all applications. Failure to do so may result in personal injury or property damage.**

#### **THE PUSH-BUTTON PROGRAM SWITCH/LED/RECEIVER/ANTENNA ASSEMBLY: PART # 1181202**

The Superheterodyne Receiver Antenna Assembly provided with this unit allows routing from below the dashboard for maximum operating range. Choose a location above the belt line (dashboard) of the vehicle for best reception. Special considerations must be made for windshield glass as some newer vehicles utilize a metallic shielded window glass that will inhibit or restrict RF reception. In these vehicles, route the antenna toward a rear window location for best reception. Secure the antenna with double stick tape provided.

**IMPORTANT!**

DO NOT PLUG THE EIGHT PIN MAIN POWER HARNESS OR THE MULTI PIN INPUT/OUTPUT HARNESS INTO THE CONTROL MODULE UNTIL ALL CONNECTIONS TO THE VEHICLE HAVE BEEN MADE. AFTER SELECTING YOUR TARGET WIRES AS DEFINED BELOW, DISCONNECT THE NEGATIVE BATTERY CABLE FROM THE VEHICLE BATTERY PRIOR TO MAKING ANY CONNECTIONS.

**NOTE: Do not remove the fuse holders from this wire harness. Fuses must be used and located as close as possible to the power source for adequate protection of the vehicle.**

**WIRING THE 6 PIN MAIN POWER HARNESS:**

**PART # 1123742**

**NOTE: Do not remove the fuse holders from this wire harness. Fuses must be used and located as close as possible to the power source for adequate protection of the vehicle.**

**1 BLUE Wire: Ignition 1 Output**

Connect this wire to the ignition 1 wire from the ignition switch. This wire will show +12 volts when the ignition key is turned to the "ON" or "RUN" and the "START" or CRANK" positions and will have 0 volts when the key is turned to the "OFF" and "ACCESSORY" positions.

For Diesel Applications, this wire must be connected to the ignition circuit that powers the glow plugs if the vehicle requires glow plug pre-heating. (See selectable feature Bank 3 #12)

**2 RED/WHITE WIRE: + 12 volt Battery 1 Source Fused 30A**

Locate the vehicle battery wire(s) at the ignition switch. Verification: These wires will register voltage in all positions of the ignition switch. Connect the Red w/White wire to the vehicle's battery wire. This wire provides power for the control circuit as well as the ignition 1 and ignition 2 relays.

**3 GREEN Wire: Ignition 2 Output**

Connect this wire to the ignition 2 wire from the ignition switch. This wire will show + 12 volts when the ignition key is turned to the "ON" or "RUN" position and in some cases the "START" or CRANK" position. This wire will show 0 volts when the key is turned to the "OFF" and "ACCESSORY" positions.

**NOTE:** See programming information (Bank 3 Selection #7) concerning this wire to allow output during the "START" mode.

**4 PURPLE Wire: Accessory Output**

Connect this wire to the Accessory wire from the ignition switch. This wire will show + 12 volts when the ignition switch is turned to the "ACCESSORY" or "ON" and "RUN" positions, and will show 0 volts when the key is turned to the "OFF" and "START" or "CRANK" positions.

**5 RED WIRE: + 12 Volt Battery 2 Source Fused 30A**

Locate the vehicle battery wire(s) at the ignition switch. Verification: These wires will register voltage in all positions of the ignition switch. Connect the Red wire to the vehicle's battery wire. This wire provides power for the start relay and the accessory relay.

**6 YELLOW Wire: Starter Output**

**Careful consideration for the connection of this wire must be made to prevent the vehicle from starting while in gear. Understanding the difference between a mechanical and an electrical Neutral Start Switch will allow you to properly identify the circuit and select the correct installation method. In addition you will realize why the connection of the safety wire is required for all mechanical switch configurations.**

Failure to make this connection properly can result in personal injury and property damage.

In all installations it is the responsibility of the installing technician to test the remote start unit and ensure that the vehicle cannot start via RF control in any gear selection other than park or neutral.

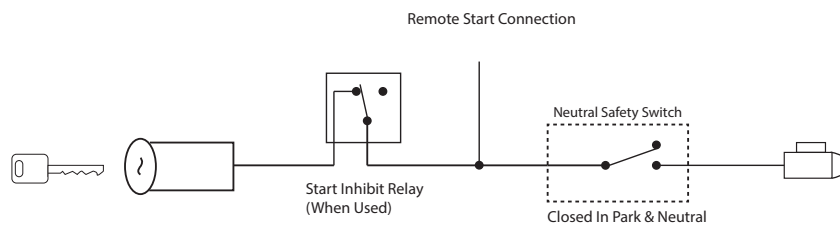
In both mechanical and electrical neutral start switch configurations, the connection of the Yellow wire will be made to the low current start solenoid wire of the ignition switch harness. This wire will have +12 volts when the ignition switch is turned to the start (crank) position only. This wire will have 0 volts in all other ignition switch positions.

**NOTE:** This wire must be connected to the vehicle side of the starter cut relay (when used). For the electrical neutral switch configuration, this connection must be made between the starter inhibit relay, ( when used ) and the neutral safety switch as shown in the following diagram.

Failure to connect this wire to the ignition switch side of the of the neutral safety switch can result in personal injury and property damage.

SEE NEUTRAL START SAFETY TEST FOR FURTHER DETAILS.

### **YELLOW START WIRE DETAIL**



### **WIRING CONNECTIONS: 12 Pin Accessory Input/Output Harness      PART # 1124295**

#### **1 Green w/ Orange trace Wire: Tachometer Input Signal**

This wire will continually monitor the engine's tach rate while the unit is under power of the Remote Start module. This wire will be routed to the vehicle ECM tach input or through the firewall into the engine compartment and connect to the negative side of the ignition coil. This Remote Start unit learns the tach rate of the vehicle and in most cases will operate properly from one coil pack regardless of the number of cylinders. If the unit has difficulty sensing a single coil, this input can connect to an injector wire as an alternate.

**NOTE:** For Hybrid mode selection, Bank 3 feature selection 5, this connection is not required, the unit will start the vehicle and run the allotted time based on feature selection and crank duration.

#### **2 Green w/ Yellow trace Wire: Diesel Wait To Start Input**

The green/yellow wire, when connected to the wire that get + 12 volts during the glow plug preheat stage will delay the starter output until this wire drops the 12 volts. In other words, in a Diesel vehicle with glow plug preheat circuit, when the ignition is turned on, the vehicle will not crank until the glow plugs are hot enough to fire the atomized fuel oil when injected into the cylinder. By connecting this wire to the glow plug + 12 volt wire, when the remote start unit activates the ignition one output, the glow plug output also activates. The remote start sees the green/yellow with positive voltage and waits for this to go inactive( drop to 0 volts) before activating the starter motor. If this wire is not used or you have difficulty accessing the glow plug preheat circuit, you may elect to utilize the Diesel timed output as specified in Remote Start feature selection Bank 3 Feature #12. **NOTE:** If green/yellow is used, it will override or negate any setting of bank 3 feature #12.

### 3 Green Wire: Door Unlock (-) Output

The Green wire provides a (-) Negative Pulse when the transmitter is used, while the vehicle is running by remote start, to unlock the doors. See Page 12-13 for use of this unlock output.

### 4 Brown w/ Black trace Wire: Positive Inhibit Input

The Brown w/ Black Trace wire provides an instant shutdown for the Remote Start Control module whenever it gets + 12 volts. If the Brake lights switch in the vehicle switches + 12 volts to the brake light circuit, connect the Brown w/ Black trace wire to the output side of the brake switch. This will allow the Remote Start to shut down if an attempt is made to operate the vehicle without the key while running under the control of the Remote Start. In most vehicles, in order to shift into gear, the brake pedal must be depressed. The brake input will in turn cause the remote start unit to shut off.

### 5 Brown Wire: (+) Inhibit Shut Down

Any time + 12 Volts is applied to the Brown wire, the Remote Starter will be prevented from operating, even if the signal is received from the transmitter. If there is a neutral start wire in the vehicle that switches + 12 volts when the vehicle is in any gear other than Park or Neutral, this wire can be connected to that vehicle wire to prevent starting while in gear.

### 6 Gray: (-) Inhibit / Shut Down

Any time ground is applied to the Gray wire, the Remote Starter will be prevented from operating, even if the signal is received from the transmitter. If there is a neutral start wire in the vehicle that switches ground when the vehicle is in any gear other than Park or Neutral, this wire can be connected to that vehicle wire to prevent starting while in gear.

If the vehicle you are working switches ground to the brake light circuit, this wire can be connected to the output side of the brake switch. This will allow the Remote Start to shut down if an attempt is made to operate the vehicle without the key while running under the control of the Remote Start. In most vehicles, in order to shift into gear, the brake pedal must be depressed. The brake input will in turn cause the remote start unit to shut off.

### 7 Black w/ Yellow trace Wire: Ground Output During Start (Crank)

The Black w/ Yellow Trace wire will provide a 300 mA ground output while the starter output of the remote start unit is active. This output can be used to activate the Crank Low/Bulb Test wire found in some GM vehicles. This wire is also referred to as the ECM wake up wire in some vehicles.

**NOTE:** The outputs above are low current outputs and must be used with a relay if the circuit's requirement is more than 300 mA. This output is also selectable and can perform an alternate function as shown in feature selection bank 3 Feature #20.

### 8 Black w/ Red trace Wire: Pulsed Ground Output After Shutdown

The Black w/ Red Trace wire will provide a 1 second 300 mA pulsed ground output 2 seconds after the remote starts GWR wire shuts down. This output will occur regardless of whether the circuit times out or is manually terminated. Typically this output will be used to re-lock the vehicle doors if the doors unlock automatically when the ignition circuit transitions to off. This output is selectable and can function as described in feature selection of bank 3 feature #22.



**9 Black w Blue trace Wire: Pulsed Ground Output Before Start**

The Black w/ Blue Trace wire will provide a 1 second 300 mA pulsed ground output 500mS before GWR becomes active as well as when the transmitter is used to disarm the system. Typical use for this output would be to disarm a factory theft deterrent system to prevent false triggering of the factory alarm when the remote start unit engages or when the system is used to unlock the doors. This will also activate when the transmitter is used to disarm/unlock the system

**NOTE:** This output can be selected to operate like the door unlock output as set in alarm feature setting #1 by selecting feature #19 in Bank 3 for 2 Chirps or any other pulse timing shown for that feature selection.

**10 Black w/ Light Green trace Wire: Pulsed Ground Output After Start**

The Black w/ Light Green Trace wire will provide a 1 second 300mA pulsed ground output after the vehicle is started under control of the remote start unit. Typically this wire will be used to re-lock the vehicle doors if the doors unlock automatically when the factory anti-theft system is disarmed. This wire will also activate when the transmitter is used to arm/lock the system. This output can be selected to operate in a number of different configurations as shown in selectable feature # 21 of Bank 3.

**11 LT. Blue Wire: Ground Output While Running (-) 300mA**

This wire provides a 300mA ground output that becomes active 1.5 seconds before the Remote Start Unit initializes and remains grounded while running plus an additional 2 seconds after the Remote Start Unit turns off. In all of the applications described below, a relay will be required.

The Light Blue wire can be used to accommodate the situations found on the following page.

**12 Gray w/ Black trace Wire: Negative Inhibit Input / Trigger When Armed**

The Gray w/ Black Trace wire provides an instant shutdown for the Remote Start Control Module whenever it is grounded. Connect the Gray w/ Black trace wire to the hood pin switch previously installed. This wire must be routed through a grommet in the firewall and connected to the hood pin switch. If connecting to a factory hood pin switch, or separate alarm it is recommended that a double diode circuit be used to prevent feed back of one device to the other.

**A. Sensor By Pass:**

If there is a Non Plug in Sensor used with the alarm system and it is not shunted during the Remote Start activation period, then vibration or noise from the running vehicle can cause the alarm to trigger. In this case, connect the Light Blue Wire to terminal #86 of a external relay. Connect terminal # 85 of the relay to a fused + 12 volt battery source. Cut the sensor's trigger wire and connect one end of the cut wire to terminal #30 and the other end of the cut wire to terminal #87a. Just before the Remote Start unit is activated, the relay contacts will open, preventing the sensor's operation until the Remote Start unit shuts off.

**B. Additional Ignition Output:**

Some vehicle's may require more than three ignition outputs to start and keep the vehicle's engine running. If this is the case, connect the Light Blue wire to terminal #86 of an external relay. Connect terminal # 85 to a fused + 12 volt source. Dependent on the vehicle's requirement, connect terminal #30, to a fused + 12 volt source, or to ground, and connect terminal 87 to the vehicle to supply the additional ignition source.

**C. GM VATS Key Override:**

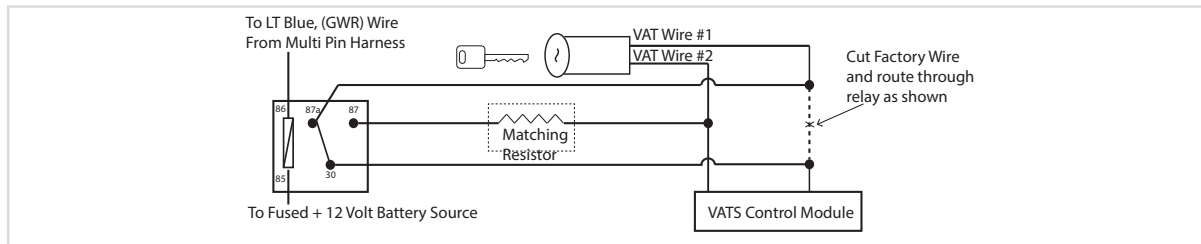
If the vehicle has the General Motors VATS system installed, you will need to bypass the system while the vehicle is operating under the control of the Remote Start Unit. To Do This:

1. Measure the resistance of the resistor pellet on the ignition key then select a resistor within 5% of the key's value
2. Locate the pair of VATS wires in the vehicle, usually a pair of thin gauge wires running from the ignition switch to the VATS control module.

**NOTE:** These wires are typically White w/ Black trace and Violet w/ Yellow trace, however in later model Cadillacs, they are run through an orange sleeve, and are either both Black, both Yellow, or both White wires. Consult the factory service manual for additional information.

3. Connect the Light Blue Wire from the Remote Start Unit to terminal #86 of an external relay. Connect terminal #85 of the relay to a fused + 12 volt battery source.
4. Cut (#1) wire (as shown), and connect the ignition switch side of the cut wire to terminal #87a of the relay. Connect the other side of the (#1) wire to terminal #30.
5. Connect the previously selected resistor from terminal #87 to the second (#2) wire (as shown).

**NOTE:** The above information and following diagram is for the GM VATS system only.



**4 Pin Additional Harness: Parking Light Flasher I/O Siren & Ground**

**1 Black:** Chassis Ground

Connect the Black wire to a known vehicle ground source or to a solid clean metal part of the chassis. Be certain to remove any paint or grease and secure this wire with a self tapping screw and ring terminal.

**2 White w/ Red trace Wire:** Parking Light Relay Input Wire

This wire is the common contact of the on board parking light flasher relay. If the vehicle you are working on has +12 volt switched parking lights, connect this wire to a fused + 12 volt source. (Max. 15 Amps)

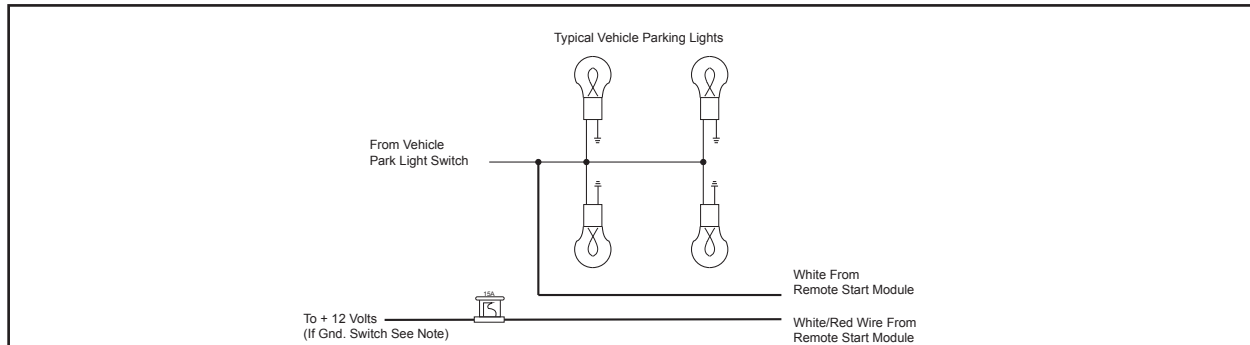
**NOTE:** If the vehicle's parking lights are ground switched, connect this wire to chassis ground.

**3 Yellow w/ Black trace Wire:** (+) Output To Alarm Ignition Input

This is the positive output that will connect to an alarm system allowing the alarm to operate while under control of the remote start. This wire can connect to an existing alarm system, or if available to the factory alarm's ignition input.

**4 White Wire:** Parking Light Relay Output

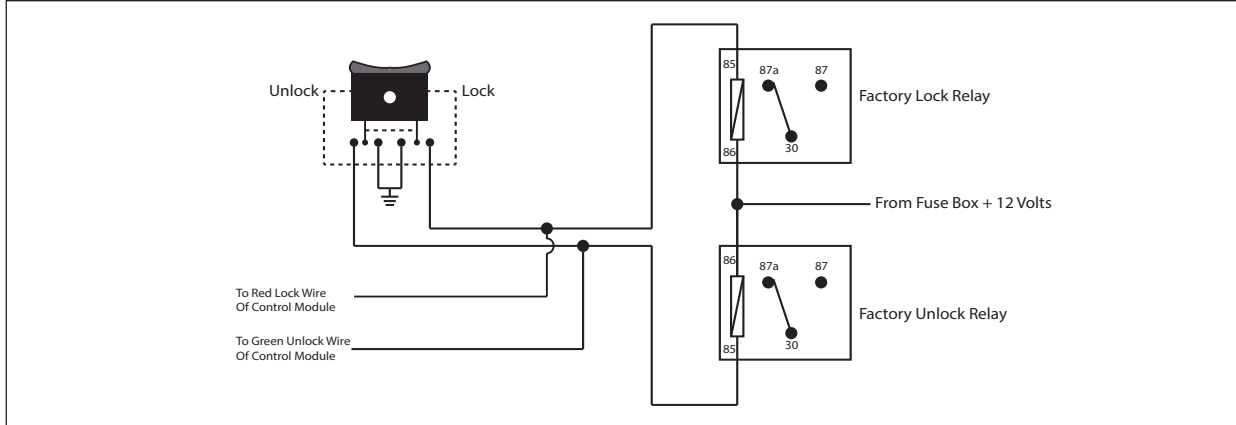
This wire is the normally open contact of the on board parking light flash relay. Connect this wire to the vehicle's parking light feed wire. This is the wire that gets switched on, either (+) or (-), when the vehicle's parking light switch is activated.



### 3 Wire Ground Switched Door Lock Circuits:

Use of Green wire from main connectors harness.

In this application, the Green wire of the main wiring harness provides a ground pulse when the transmitter button is pressed and held for 3 seconds while running under control of the remote start. Connect the Green wire to the low current ground signal wire from the factory door unlock switch to the factory door unlock relay. See the following diagram for Wiring Detail Connect to the unlock side only.

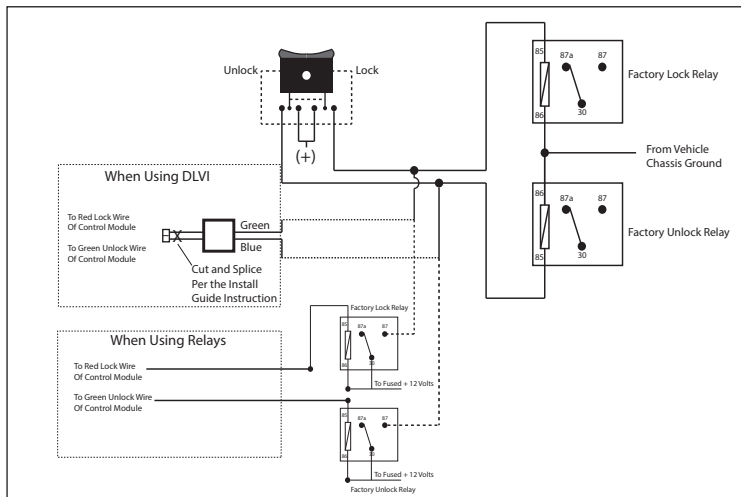


### 3 Wire Ground Switched Door Lock/Unlock Wiring Detail

### 3 Wire Positive Switched Door Locks:

For three wire positive door lock circuits, you will have to invert the output of the door unlock wire, with relays or with the "DLVI" Door Lock Voltage Inverter. The DLVI converts a negative pulse to a 1A positive pulse. When using the DLVI, cut the 2 Pin Green & Blue Connector, and splice the Blue wire from the DLVI to the Green Door unlock Wire of the module. Connect the Red wire of the DLVI to a fused + 12 volt source. For this application we will not be using the Green wire of DLVI. See Below For Wiring Detail connect to the unlock side only.

### 3 Wire Positive Switched Door Lock/Unlock Wiring Detail



**Resistive Circuits, Multiplex Circuits As Well As 4 Wire Polarity Reversal and 5 Wire Alternating 12 Volt Door Lock Control Circuits**

These applications require the use of additional components which may include relays, fixed resistor, a door lock interface, or a data module. You can search the vehicle @ [www.avxtech1.com](http://www.avxtech1.com), [www.Flash-It.com](http://www.Flash-It.com) for vehicle specific information, or contact our tech service line or web site for additional information.

**Additional Harnesses And Connectors For The System**

**4 Pin Upgrade Telematic Module: (Connector Port)**

**Red = + 5 Volts / Black = Ground / White = Data TX / Yellow = Data RX**

Connect the 4 pin harness found in the Telematic one way or Carlink II kits to the mating port on the controlling circuit.

**NOTE:** If using the TWO WAY Telematic module, only Ground, TX, and RX are used on this port, the + 12 volt supply for the two way module must be sourced separately or the unit will not operate.

**6 Pin 5 Wire Antenna/Receiver Program Push-Button Switch/LED Connector: Part # 1124296**

Plug the previously routed antenna connector from the antenna receiver assemble into the mating connector of the control module. This connector supplies 5 volts, ground and RF data input, LED cathode, and Valet Enable to and from the antenna receiver and the remote start module. Be certain this connector is firmly seated making good contact to the control unit.

### **DIESEL ENGINE SETTINGS:**

**NOTE:** When selecting Diesel operation, (Bank 3 Feature #12), over gasoline, the only change is to the ignition circuits. When Diesel is selected, the ignition circuits will power up 10, 15, or 20 seconds before the start circuit. The intent of this feature is to allow the glow plug warming required by some diesel engines. If your vehicle is a instant start diesel, it is not necessary to activate this feature.

**ALSO:** When selecting Diesel mode, be certain that the intended vehicle has a true tach reference and be certain to connect the tach input wire. Also note, if the "Diesel Wait to Start" input is connected, (Green/Yellow) this wire will take precedence over the Diesel selection of bank 3 feature 12.

### **4 PIN IN VEHICLE DATA BUS PORT (DBI Port)**

(Connector Port)

The 4 pin port located on the side of this module is for proprietary Audiovox data bus interface modules. These modules are used to access a variety of features in the vehicle which can be as simple as door trigger inputs, to more complex door locks outputs, or transponder interfaces for remote starting. DO NOT connect anything to this port other than the Audiovox IDB modules or damage to the Remote Start module will occur. All installation instructions for the IDB modules will be packaged with the individual component along with the proper 4 pin wiring harness requires to access the data transmit & receive as well as the proper voltage levels for the interface.

### **Monitoring The Vehicle's Engine:**

(Program Feature #5 Bank 3)

There are 4 ways that the remote start monitors the engine running, one or the other must be selected for your application for the remote start to operate correctly.

### **1) VOLTAGE SENSE SETTING:**

The unit will monitor the voltage level of the battery during remote start, wait for the voltage to drop while cranking, then look for the voltage level to go above the level it was before the vehicle began to crank which indicates the vehicle is running. Feature #14 of Bank 3 must be set for averaging or the voltage sense feature will not operate indicated by the parking lights flashing 7 times.

### **2) TACH RATE SETTING:**

1. Turn the ignition key to the On position.
2. Press and release the valet/program push button switch 3 times.
3. Immediately turn the ignition key Off.
4. Press and hold the valet/program push button switch, then start the vehicle using the key.
5. When the unit senses the tach signal, the parking lights will begin to flash.
6. Release the valet/program pushbutton switch. The parking lights will turn on for three seconds to indicate that the learned tach signal is stored and the unit is out of the tach learn mode.

**NOTE:** If the unit fails to learn tach rate due to an improper tachometer connection or a poor tach source, the parking lights will not flash. To correct this situation, locate and connect the Green/Orange wire to the proper tach signal, and then repeat the tach learn routine.

### **3) DBI TACH SETTING:**

Selecting this setting in the option menu indicates that you have a DBI module and have determined that a tach signal is available for the vehicle you are connecting to. The unit will look at the DBI data port for the tach signal. If the vehicle fails to start, or the unit flashes 7 times, recheck the DBI manual to insure that tach is available for your vehicle. If not the tach connection wire, Green/Orange must be used.

### **4) HYBRID SETTING:**

Selecting this setting in the option menu allows for Hybrid vehicles. Also feature #14 of Bank 3 must be set for preset time or the Hybrid feature will not operate indicated by the parking lights flashing 7 times.

### **CRANK AVERAGING:**

When Feature 14 Bank 3 is set for crank averaging, the remote start unit constantly monitors and learns the cranking patterns of the vehicle each time the car is started with the key. The vehicle must be started at least 4 times with the key for the crank averaging circuit to begin it's monitoring the vehicle's engine.

### DIAGNOSTICS:

Enter Bank 3 and turn on selectable feature # 10 as described on the front pages of this manual.

**NOTE:** Diagnostic mode is a temporary mode. Once you have accessed the diagnostic mode, the unit will pause for two seconds then begin to flash the last stored shut down code. This code will be displayed three times in succession, then the unit will automatically exit the diagnostic on mode.

The parking lights will flash a number of times indicating the reason for the last remote start shutdown. The light flash indications are as follows:

1 Flash	Run timer expired
2 Flashes	Low or no tach signal (RPM)
3 Flashes	Positive inhibit wire activation
4 Flashes	NA
5 Flashes	RF shutdown, Remote signal received, or manual start trigger wire reactivated.
6 Flashes	High tach signal (RPM)
7 Flashes	Tach signal has not been learned
8 Flashes	Negative inhibit wire

### TESTING YOUR INSTALLATION:

**WARNING!** The following procedure must be performed after the installation of any Remote Start Device. It is the responsibility of the installing technician to complete these tests. Failure to test the unit in the following manner may result in personal injury, property damage, or both.

### HOOD PIN SAFETY SHUT DOWN:

The intent of the hood pin safety shut down is to prevent the Remote Start unit from being activated while a mechanic or vehicle owner is performing normal routine vehicle maintenance.

To test the integrity of this circuit:

1. With the drivers window in the down position, start the vehicle using the RF transmitter.
2. Reach inside the car and pull the hood release.
3. Raise the hood and confirm that the remote start unit shuts down. If the unit fails this test, recheck your pin switch connection to the Gray/Black wire of the Remote Start Unit.

**DO NOT RELEASE THIS VEHICLE TO THE CONSUMER UNTIL YOU CONFIRM THE OPERATION OF THE HOOD PIN SAFETY SHUT DOWN FEATURE.**

### REMOTE START OVERRIDE MODE / MANUAL SHUT DOWN:

The intent of the remote start override / manual shut down circuit is to allow the vehicle operator to prevent operation of the Remote Start Unit regardless of the RF transmitter operation.

#### To Enter The Remote Start Override Mode:

- 1) With the system disarmed/unlocked, and the ignition switch off Press and Hold the push button switch located on the receiver unit on.
- 2) Turn the ignition switch on, off, on, off, on, off.
- 3) The LED begins to flash two short flashes followed by one long flashes and continues this pattern until returned to normal mode of operation.

The action above puts the unit into the Remote Start Override mode or vehicle service mode and will not start from the RF transmitter or any other input.

**To Exit Remote Start Override Mode:**

- 1) With the system disarmed, Press and Hold the PBLED on.
- 2) Turn the ignition switch on, off, on, off, on, off.
- 3) The LED turns off indicating that the R/S unit is fully functional one again.

**DO NOT RELEASE THIS VEHICLE TO THE CONSUMER UNTIL YOU CONFIRM THE OPERATION OF THE MANUAL SHUT DOWN / ENABLE FEATURE.**

**NEUTRAL START SAFETY TEST:**

The intent of the neutral start switch is to prevent the vehicle from starting while the gear selector is in any position other than Park, or Neutral. When installing a Remote Start Device, it is imperative that the Yellow Starter wire be connected to the ignition switch side of the Neutral Start Switch. Consideration for the placement of a starter inhibit relay is important as well and should be connected to the ignition switch side of the Yellow Start Wire.

To test the integrity of the Neutral Start Safety Circuit:

- 1) Set the vehicle parking brake.
- 2) Block the drive wheels to prevent vehicle movement.
- 3) Temporarily disconnect the Brown/Black positive shut down wire from the vehicle's brake switch.
- 4) Sitting in the vehicle, start the engine using the vehicle's ignition key.
- 5) Step on the brake pedal and shift the gear selector into reverse.
- 6) Allow the transmission to shift. When you feel the engine pull, do not move the gear selector just turn the ignition switch off. DO NOT attempt to remove the key.
- 7) Keeping the brake pedal depressed, activate the RF transmitter in an attempt to start the vehicle. The car should not start.
- 8) Repeat the above test this time move the gear selector to the drive position.

If the unit attempts to start, failing this test, recheck your Yellow Wire's connection. This wire must be connected to the ignition switch side of the Neutral Start Switch. If the vehicle you are working on does not have an Electrical Neutral Safety Switch, it will be necessary to reconfigure the Remote Starts Wiring to accommodate the vehicle. The information concerning the Mechanical Neutral Safety Switch provided below will help you to determine if the vehicle you are working on has this type of safety switch and will provide alternate wiring methods to accommodate this situation.

**CAUTION! REMEMBER TO RECONNECT THE BROWN/BLACK NEUTRAL SAFETY WIRE TEMPORARILY DISCONNECTED IN STEP 3**

**MECHANICAL NEUTRAL SAFETY SWITCH CONSIDERATIONS:**

Mechanical neutral safety switch configurations differ slightly in that they do not offer the same level of safety when installing a remote start device. Often when the ignition switch is turned off while the gear selector is in any position other than park or neutral, the mechanical function will not allow the key to be turned to the start position or be removed from the ignition cylinder. This configuration prevents mechanical operation while the vehicle is in gear but offers no consideration for electrical operation. Because of this potential problem, this installation requires the additional connection of a safety wire from the remote start device to the vehicle Park/Neutral ECM Input or the vehicle key in sensor. This connection will prevent remote start operation if the key is left in the ignition switch regardless of the gear selectors position.

**DO NOT RELEASE THIS VEHICLE TO THE CONSUMER UNTIL YOU CONFIRM THE OPERATION OF THE MECHANICAL NEUTRAL SAFETY START FEATURE.**



### KEY IN SENSOR CIRCUITS:

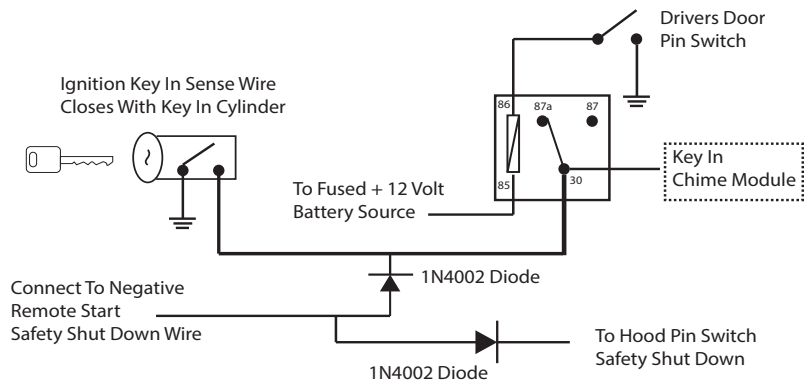
If the vehicle you are working on does not have or you cannot locate the ECM reference wire, there are two alternatives available. Although not preferred, the vehicle Key In Sensor may be reconfigured to allow a margin of safety and will prevent the vehicle with a Mechanical Neutral Start Switch from starting in gear. WE ADVISES THAT YOU MAINTAIN THE FACTORY CIRCUIT WHENEVER POSSIBLE. The following two circuits may be used only if the above circuit is not available.

**NOTE:** When completing an installation using either of the following key in sensor circuits, if the operator inserts the ignition key while the vehicle is running under the control of the Remote Start, the vehicle will shut down. This must be explained to the operator as it is in contrast to the normal operation of a vehicle utilizing an electrical neutral start switch and is inconsistent with the operators manual. Additional information concerning Key In Sensor methods 1 & 2 are listed below and should be reviewed before considering either alternative.

Method 1 will allow the safety required for the remote start unit and prevent the vehicle from starting while in any gear other than Park or Neutral while the key is in the ignition cylinder however, if the key is left in the ignition switch and the door is left opened, the added relay will be energized causing a 150mA drain on the battery.

Method 2 will allow the safety required for the remote start unit and prevent the vehicle from starting while in any gear other than Park or Neutral while the key is in the ignition cylinder however, the original factory key in chime module will not alert the owner that the key has been left in the ignition switch. In addition, this may also effect other warning tones such as the light on reminder.

These situations should be carefully considered before altering the vehicle's wiring and must be fully explained to the consumer.



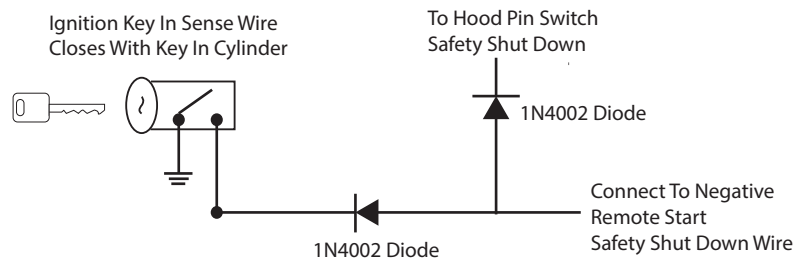
### METHOD 1

To connect to the key in sensor as shown in method 1:

- 1) Locate the control wire that connects the drivers door pin switch to the key in sensor switch.
- 2) Cut this wire and connect the ignition cylinder side to chassis ground.
- 3) Locate the key in sensor switch wire that connects the chime module to the ignition cylinder .
- 4) Cut this wire and connect the ignition cylinder side to terminal 30 of a P&B VF45F11 or equivalent relay.
- 5) Connect the cathode (striped) side of a 4002 series diode to this same wire, and connect the (non striped) side to the negative shut down safety wire (Gray / Black) of the Audiovox Remote Start Unit.
- 6) Connect terminal 86 of the relay to a fused +12 volt constant battery source.
- 7) Connect terminal 87 of the relay to the Chime Module side of the previously cut wire in step D.
- 8) Connect terminal 85 of the relay to the Drivers Door side of the pin switch wire previously cut in step B.

**NOTE:** A second 4002 series diode may be required to maintain the integrity of the hood open, shut down circuit. If this is the case, it must be installed as shown in the diagram above. The anode (Non Striped) side must be connected to the Gray/Black wire of the Remote Start Unit. The cathode (Striped) side must be connected to the hood pin switch. If the hood pin switch is also used for an alarm trigger input, be certain to use the dual diode set up shown earlier in this manual.

## METHOD 2



To connect to the key in sensor circuit as shown for method 2:

- 1) Locate the control wire that connects the drivers door pin switch to the key in sensor switch.
- 2) Cut this wire and connect the ignition cylinder side to chassis ground.
- 3) Locate the key in sensor switch wire that connects the chime module to the ignition cylinder .
- 4) Cut this wire and connect the ignition cylinder side to the Remote Start Negative Safety Shut down Wire Gray/Black, using a 4002 series diode as shown above.

**NOTE:** A second 4002 series diode may be required to maintain the integrity of the hood open, shut down circuit. If this is the case, it must be installed as shown in the diagram above. The anode (Non Striped) side must be connected to the Gray/Black wire of the Remote Start Unit. The cathode (Striped) side must be connected to the hood pin switch. If the hood pin switch is also used for an alarm trigger input, be certain to use the dual diode set up shown earlier in this manual.

**AFTER THE CONNECTION OF THE NEUTRAL START SAFETY WIRE AS INDICATED IN ANY OF THE PREVIOUS ALTERNATE CONFIGURATIONS, THIS CIRCUIT MUST BE TESTED FOR PROPER OPERATION.**

Retest by following the steps outlined in the NEUTRAL START SAFETY TEST section of the manual.

### COMPLETING THE INSTALLATION:

After you have confirmed the operation of the Audiovox Remote Start unit and tested all the safety features of the system:

- 1) Mount the control module up and behind the dash securing it in place with cable ties or screws. Be certain that the chosen mounting location will not inhibit any of the controls of the vehicle.
  - 2) Securely harness and tie all wiring up and away from all hot and moving parts that they may come in contact with under the dash board or in the engine compartment areas.
- CAUTION:** Particularly avoid the area around the steering shaft and column, as wires can wrap around these mechanisms and impair the safe operation of the vehicle.
- 3) Apply the Caution Labels supplied with this kit to a conspicuous area in the engine compartment. Make sure to clean the surface before affixing the label.
  - 4) Check the vehicle's wipers, lights, horn, etc.... to insure proper operation.
  - 5) Replace all panels that were removed during installation, and retest the system.
  - 6) Explain all activated features and safety systems associated with the Remote Start Unit installed. Also point out the location of the Push-Button LED Override/Valet switch to the customer and explain it's operation.

The transmitters are pre-programmed from the factory, If you find you need to program new or additional transmitters follow the instructions below.

#### **PROGRAMMING BANK 1 (TRANSMITTERS):**

- 1) Turn the ignition key to the on position.
- 2) Press and release the valet/programming switch 3 times (Siren Chirps Once).
- 3) Press the Lock Button of each transmitter you want programmed until you hear a chirp from the horn or siren.
- 4) Turn the ignition switch off. 1 Short followed by 1 Long Chirp indicates exit of programming mode.

The above action programs the Lock, Unlock, Start/Trunk, and Option 1 buttons of the system. For additional channel programming see the owners guide found within the literature bag packaged with this kit.

#### **PROGRAMMING BANK 2 (ALARM FEATURES):**

You can enter bank 2 from bank 1 by turning the ignition key off then on from step 4 of Bank 1, you will hear 2 chirps, or You can also go right to bank 2 by:

- 1) Turn the ignition key to the on position.
- 2) Press and release the valet/programming switch 3 times (Siren Chirps Once).
- 3) Turn the ignition key off then on you will hear 2 chirps.
- 4) Press the pushbutton switch once to advance to feature 1, twice to advance to feature 2, etc., then use the lock button of the transmitter to select the feature setting.

Example to set passive arming:

- 1) Turn the ignition key to the on position.
- 2) Press and release the valet/programming switch 3 times (Siren Chirps).
- 3) Turn the ignition key off, then on, Siren chirps 2 times.
- 4) Press the pushbutton switch six times to advance to features 6, Pass/Act Arm, then use the lock button of the transmitter to select two chirps "Passive Arm".
- 5) To exit the programming mode, turn the ignition key off more than 6 seconds. Siren sounds a short chirp followed by a long Chirp.

**New:** The chirp and LED patterns have been changed to make it easier to determine what feature you are in. As well the feature bank will not time out until the ignition switch is off for more than 5 seconds. The change will be noted when you get to feature # 11, the LED pattern will be 1 pause, 1, #12 will be 1 pause, 2, #13 will be 1 pause 3, #22 will be 2 pause 2, etc. This will make it easier for the technician to determine what feature they are up to.

**Feature Bank Reset:** If you wish to reset a feature bank to the default settings, from within that bank, press and hold the pushbutton on the receiver/antenna for 5 seconds or until a chirp/flash is heard from the system. This action resets the feature bank. The feature banks are reset individually so resetting bank 2 will not effect bank 3 & visa versa.

## SELECTABLE FEATURES

The selectable features of this unit can be set manually as explained above, or online by using our web link. The Accessory VE-PROG kit will include the necessary cables to connect to your computer along with the web access information and application required to take advantage of this feature.

Factory default settings are indicated by **BOLD** text below.

**Note** : The method of manual override can either be selected to operate from the valet switch or operate by custom code. Custom Code programming is found in the owner's guide. Be certain to place a check mark indicating the method used in the box located on the last page of the owner's manual.

**NOTE:** Manual programming Keyless Entry Models with no horn output will Flash the Parking Lights instead of chirp where chirp is indicated. Also, No data will be indicated if a feature is not available for a particular model. The unit will enter the feature but no selection will be available.

### RF Programmable Feature Bank 1 Is For Transmitter Programming See Transmitter Programming Guide.

#### RF Programmable Features Bank 2 Is Alarm Selectable Features:

Feature Selection	1 Chirp	2 Chirps	3 Chirps	4 Chirps	5 Chirps	6 Chirps
1st Door/L/U/L	500 mS	3.5 Sec.	500mS L, Dbl. U/L	Dbl L, 500mS UL	Dbl L, Dbl UL	500mS/350mS ul
2nd Accy Lock	Not Available					
3rd Accy. UL	Not Available					
4th Headlights	Not Available					
5th Passive Locks	Not Available					
6th Pass/ActArm	Not Available					
7th Siren/Horn	Not Available					
8th Horn Chirp	Not Available					
9th O/R Method	Not Available					
10th 2 Step U/L	Not Available					
11th Chp Del Tx	Not Available					
12th Trigger Circuits	Not Available					
13th L/U/L Poll	Not Available					
14th Aux Ch 5 Sel	Not Available					
15th Aux Ch 6 Sel	Not Available					
16th Aux Ch 7 Sel	Not Available					
17th Trigger Delay	Not Available					
18th Data Port Select	DBI Protocol					ADS Protocol

If Programming via PC while connected to + 12 VDC you must manually enter the programming mode as shown below.:

Turn the ignition on

Press and release valet switch 3 times

Turn ignition off then on, off then on, off then on, off then on to enter web/on-line feature selection Bank 5.

Siren chirps 5 times indicating access to feature program mode. Launch the application on your PC,,Connect the module via the USB to DBI harness and follow program prompts.

### **PROGRAMMING BANK 3 (REMOTE START ):**

You can enter Bank 3 from Bank 2 by turning the ignition key off then on after you've made the changes you wanted in Bank 2, (Siren Chirps 3 times). You can also go right to bank 3 by:

- 1) Turn the ignition key to the ON position.
- 2) Press and release the valet/programming switch 3 times (Siren Chirps Once).
- 3) Turn the ignition key off then on (Siren Chirps 2 Times).
- 4) Turn the ignition key off then on (Siren Chirps 3 Times).
- 5) Press the push button switch once to advance to feature 1, twice to advance to feature 2, etc. Then use the lock button of the transmitter to select the feature setting.

Example to set engine input check to DBI Tach:

- 1) Turn the ignition key to the ON position.
- 2) Press and release the valet/programming switch 3 times (Siren Chirps Once)
- 3) Turn the ignition key off, then on. (2 Chirps)
- 4) Turn the ignition key off then on. (3 Chirps)
- 5) Press the push button switch five times to advance to features 5, Input Check, then use the lock button of the transmitter to select three chirps, "DBI Tach"
- 6) To exit the programming mode, turn the ignition key off more than 6 seconds. Siren sounds a short chirp followed by a long Chirp.

### **TACH RATE PROGRAMMING:**

1. Turn the ignition key to the ON position.
2. Press and release the valet/program push button switch 3 times.
3. Immediately turn the ignition key Off.
4. Press and hold the valet/program push button switch, then start the vehicle using the key.
5. When the unit senses the tach signal, the parking lights will begin to flash.
6. Release the valet/program pushbutton switch. The parking lights will turn on for three seconds to indicate that the learned tach signal is stored and the unit is out of the tach learn mode.

**NOTE:** If the unit fails to learn tach rate due to an improper tachometer connection or a poor tach source, the parking lights will not flash. To correct this situation, locate and connect the Green/Orange wire to the proper tach signal, and then repeat the tach learn routine.

**RF Programmable Features Bank 3 Is Remote Start Selectable Features:**

Feature Selection	1 Chirp	2 Chirps	3 Chirps	4 Chirps	5 Chirps	6 Chirps
1st Defrost Output	Not Available					
2nd RF Start Chirp	Not Available					
3rd Run Time	5 Mins	10 Mins	15 Mins	20 Mins	45 Mins	60 Mins
4th Parking Lights	On Steady	Flashing				
5th Input Check	Voltage	Tach	DBI Tach	Hybrid		
6th Voltage Level	>0.5V B4 Start	< 0.5V B4 Start				
7th Ign. 2 Select	Off During Crank	On During Crank	Same As Accy.			
8th Ign. 3 Select	Not Available					
9th Accy. Relay	Off During Crank	On During Crank	Same As Starter			
10th Diagnostics	Off	On				
11th Crank Time	0.8 Sec	1.0 Sec	1.5 Sec	2.0 Sec	3.0 Sec	4.0 Sec
12th Gas/Diesel	Gas	Diesel 10	Diesel 15	Diesel 20		
13th Temp Start	Not Available					
14th Crank Averaging	Averaging	Preset Time	<b>NOTE:</b> When averaging, the engine must be started 4 times with the key to be effective.			
15th R/S Shock	Not Available					
16th Turbo Select	Not Available					
17th One or Two Press Start	Two Press	One Press				
18th Door Lock Control	Not Available					
19th Alt O/P Before Start	Single Pulse	As Feat 1 Bank 2	350mS Pulse	500mS Pulse	800mS Pulse	
20th Alt O/P During Crank	During Crank	Gnd When Running	O/P Same as Ign 1	O/P Same As Accy.		
21st Alt O/P After Start	Pulse After Start	Gnd When Running	O/P Same as Ign 1	O/P Same As Accy.	O/P During Crank	
22nd Alt O/P Aft Shut Dwn	Pulse Aft Sht Dwn	Gnd When Running	O/P Same as Ign 1	O/P Same As Accy.	O/P During Crank	
23rd Ign & Accy Relays	Not Available					

**NOTE :** If feature #5 is set for Voltage or Hybrid, the unit must also have feature #14 set for averaging or the Pk Lts. will flash 7 times and the unit not start.

**NOTES**

